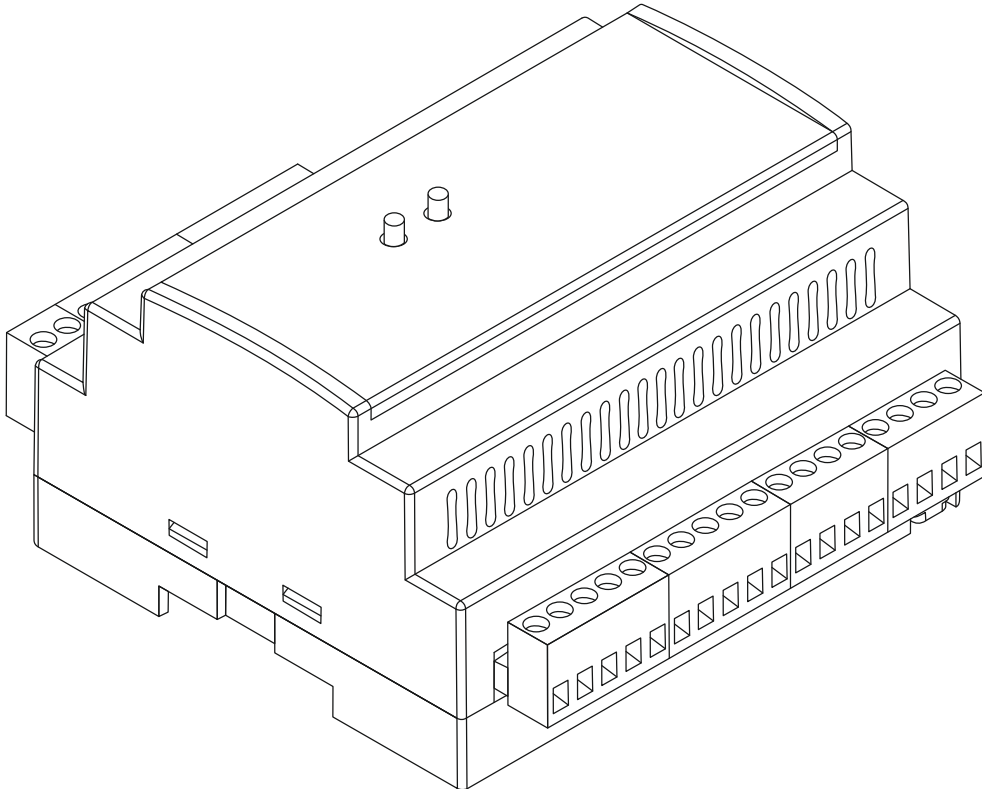


inohom

Smart Life Solutions



Ethernet IO Module

(EIO1908)

TECHNICAL MANUAL

Content

1: Important Safety Information	3
2: Description and Properties	4
3: Technical Properties	4
3.1: Technical Details	4
3.2: Technical Drawing	5
4: Installation	5
4.1: Before Installation	5
4.2: Mechanical and Electrical Assembly	6
4.2.1: Return to Factory Settings	6
4.2.2: Electrical Assembly	6
4.2.3: Mechanical Assembly	7
5: Button and Indicators	7
5.1: Button Functions	7
5.2: LED Indicators	8
6: Communication Properties	8
7: Commissioning	9
7.1: EIO1908 Web Control Interface	9
7.2: Settings Page	9
8: Regulations	10

1: Important Safety Information

Please read this manual before using the device!



Not following the recommendations in this manual might lead to danger. The manufacturer GST ELEKTRONİK LTD ŞTİ cannot be hold responsible for any loss or damages arising from not following the instructions in this user manual. Device is no longer under warrant after faults arising in these cases.

ELECTRIC SHOCK DANGER!



The device is designed to control other electronic devices and operates in houses. Incorrect connection or usage might cause fire or electric shocks.



There might be voltage on the connection tips even if the device is turned off. The fuse or power source must always be disabled if the connections will be changed.



Do not operate the device with wet or moist hands to avoid electric shock risk.

Do not open the product!



Do not make any changes on this device that are not specified in the user manual.

Other devices



The manufacturer GST ELEKTRONİK LTD. ŞTİ. cannot be held responsible for any damages or out-of-warranty if any unsuitable connections other than the connections expressed in the connection manual are made with other devices.

This product is designed only for indoors use in a dry environment.



Do not use the product in wet or damp environment such as bathtub, sink, bath and pool.

Device Cleaning



Do not clean the product with solvent (thinner, gasoline, acid etc.) or abrasive cleaning products. Avoid cleaning with vapour cleaning tools.

Heat Sources and Fire



Do not leave the device directly exposed to sunlight or other heat sources. Do not place the device near open fire or intense heat sources such as electric heater.

2: Description and Properties

inohom 8 output IO Module EIO1908 is designed to create multipurpose solutions. You can perform elevator call, garage door, gas valve, air conditioner, contactor, lamp, motorized door lock, motorized valve, curtain/blind, socket, water valve, irrigation and sliding door open/close controls. ETHERNET IO is produced with 8 digital and 2 analog inputs with isolation. Built-in 8 16A 277V~ relay outputs eliminate contact sticking problems.

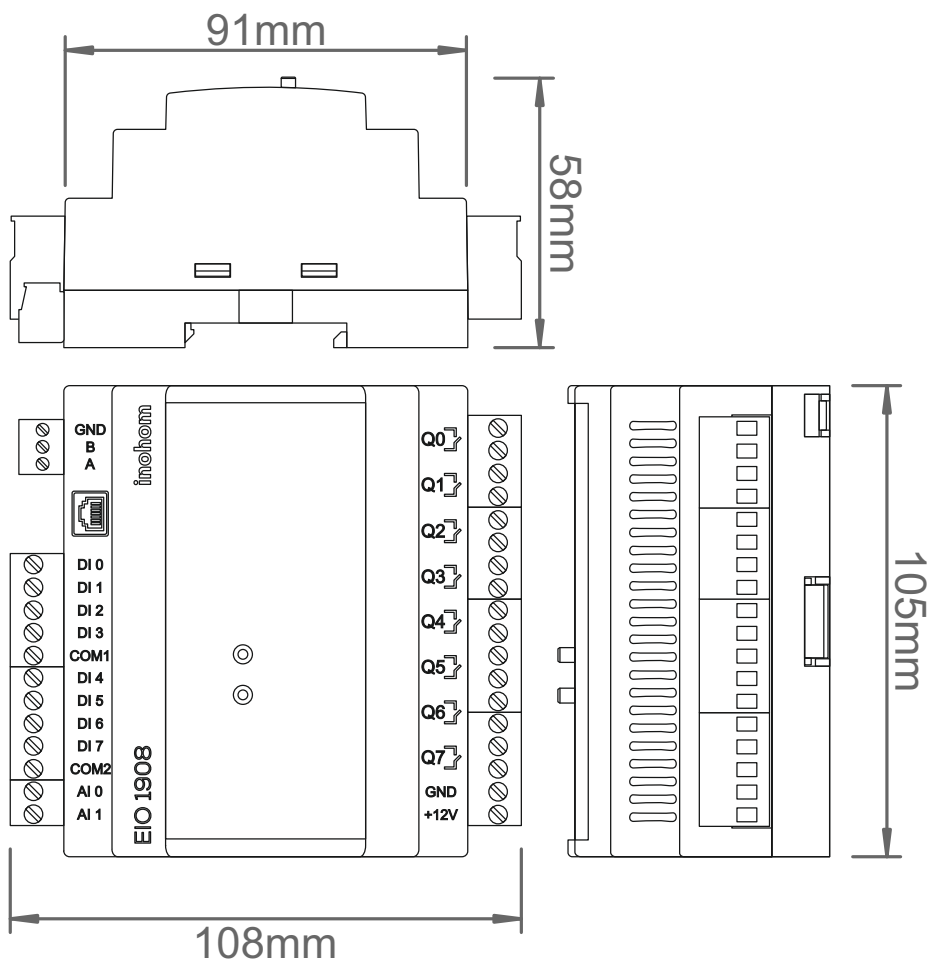
ETHERNET IO product enables managing the inputs and outputs on it with HTTP - TCP communication.

3: Technical Properties

3.1: Technical Details

Supply Voltage	12VDC
Power Consumption	9.6W (Max)
Inputs	8 Insulated DC Input 2 0-10V Analogous Input
Outputs	8 Relay (277VAC 10/16A)
Communication	HTTP - TCP
Operating System	inohom OS
Connections	2.5mm ² screwed electric terminal
Protection Class	IP 20
Operating Temperature	0 - 50°C
Relative Humidity	Max 50°C %65 Ambient Humidity
Height	Max 2000m
Dimensions	105mm x 90mm x 58mm
Installation	Rack Mounting
EMC Standards	EN55032:2015, EN55024:2011, EN62368-1

3.2: Technical Drawing



4: Installation

4.1: Before Installation



Unsuitable connections against the manual might cause health, life or material damage risk.

- Do not power on the device before all the connections are completed.
- Check the device user manual to create a secure connection.
- Do not make any connections other than the connections specified in the scheme.
- Do not connect with devices that do not comply with security standards.

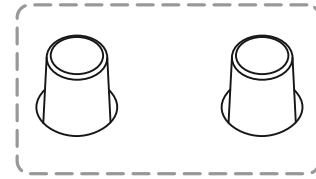


Mount the device away from metal surfaces or objects to avoid any negative impact on the wireless communication performance.

4.2: Mechanical and Electrical Assembly

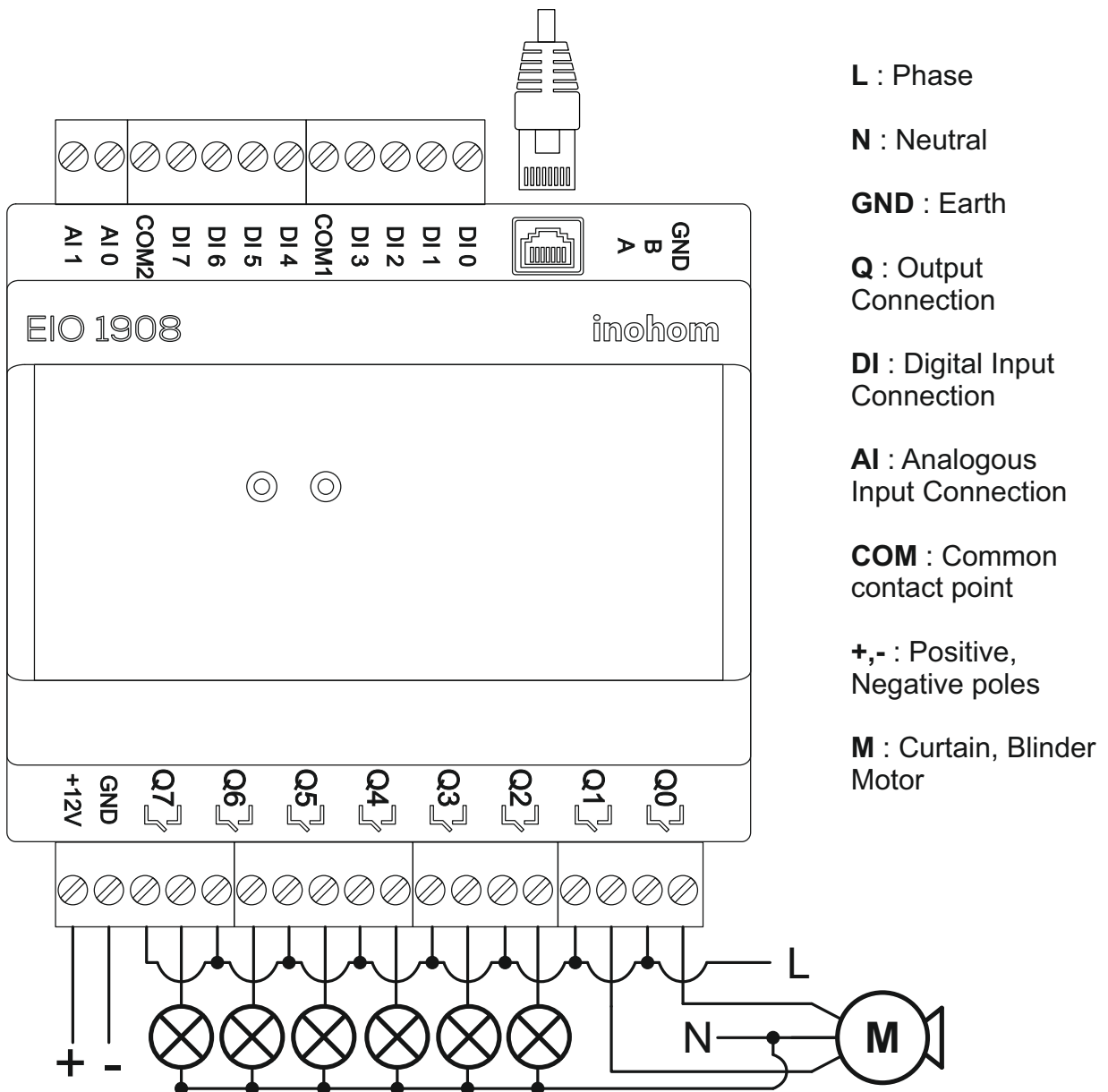
4.2.1: Return to Factory Settings

i When you press and hold these two buttons and wait until the LEDs no longer blink, the device will return to factory settings.



4.2.2: Electrical Assembly

i The devices and connections that will be connected to the outputs may differ. COM ends are not interconnected.



4.2.3: Mechanical Assembly

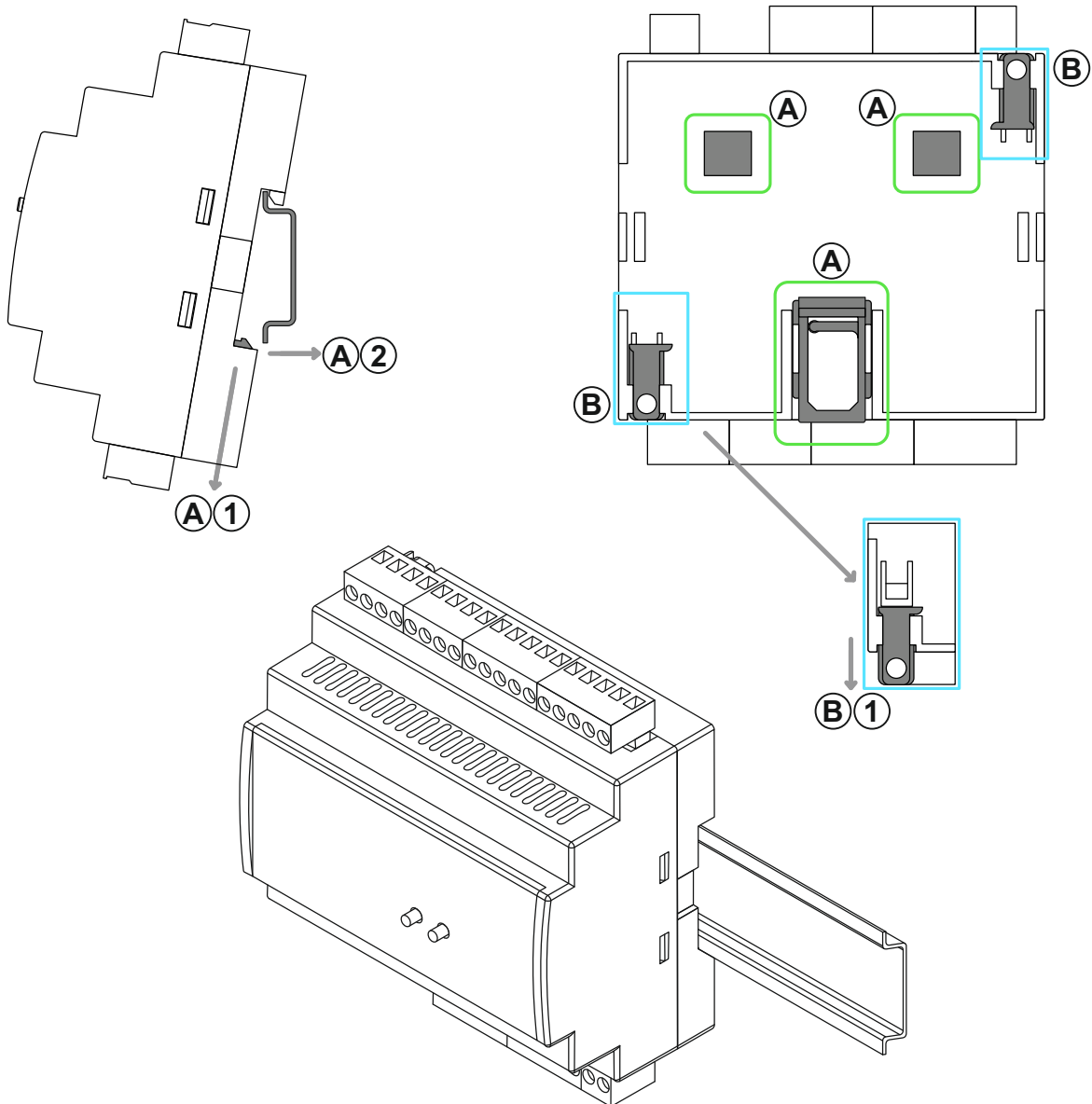
i This is a locked design box suitable for DIN rack mounting. Dimensions are designed in standard fuse box form.

1: Pull the mounting apparatus down.

2: Place the device inside the mounting bearing.

A: Rail mounting bearing

B: Screw mounting bearing



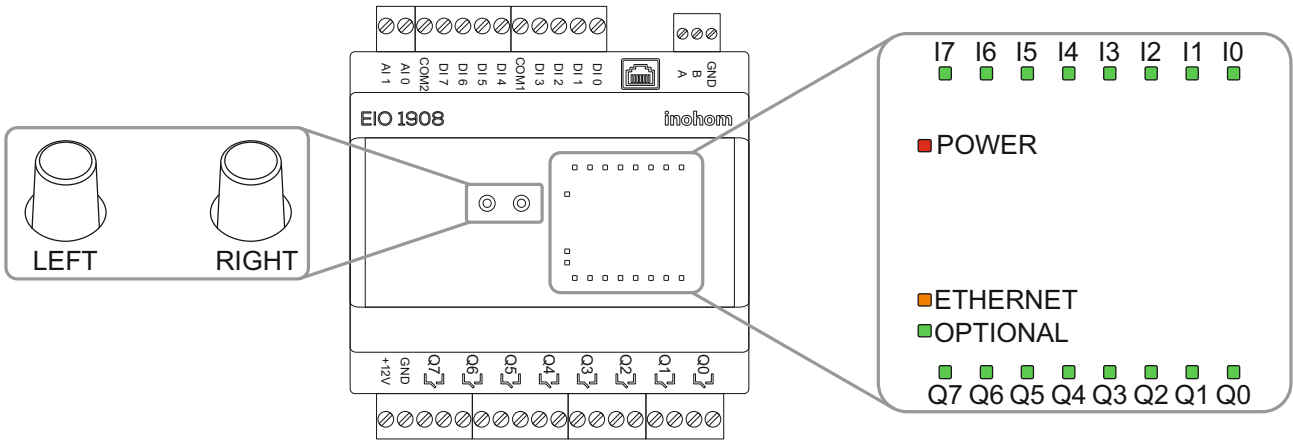
5: Buttons and Indicators

5.1: Button Functions

i Different tasks can be assigned to inohom IO Module input and outputs. Functions assigned to input and output are provided by inohom authorised dealers. This operation is completed by trained technical personnel in implementation program.

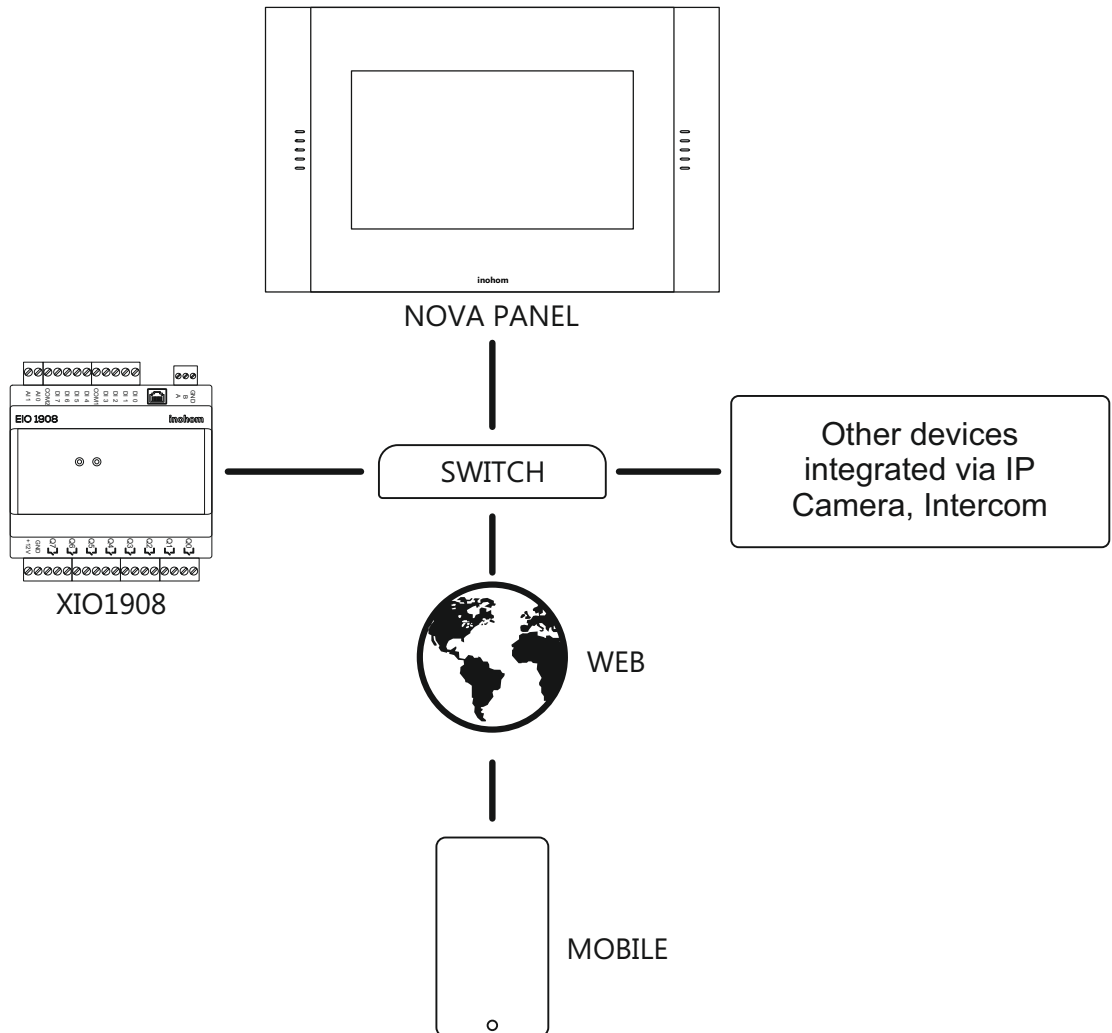
i When there is power on the device, press and hold two buttons for 2 seconds for the output control mode. The left button selects the output and the right button changes the state. You can exit this mode by pressing and holding two buttons for 2 seconds.

5.2: LED Indicators



6: Communication Properties

i inohom IP Gateway (Nova Panel/Home Manager) enables system to go on IP and enables remote control via internet. Goes online with Wi-Fi wireless communication or Ethernet cable and necessary hardware.



7: Commissioning

7.1: EIO1908 Web Control Interface



While the device is working; The web control interface is unlocked by holding down the two buttons for 2 seconds. To access the interface of the device, its IP is written to the browser and access to the interface is provided. The web control interface is locked 30 seconds after the page is closed.

Device Default IP Address: **192.168.1.41**

inohom

EIO1908 CONTROL PANEL

OUTPUTS	TYPE	STATE	ANTAGONIST	TIME
OUT-0 ▾	Basic ▾	OFF ▾		0

Send

OUTPUTS	
ID	STATUS
0	0
1	0
2	0
3	0
4	0
5	0
6	0
7	0

INPUTS	
ID	STATUS
0	0
1	0
2	0
3	0
4	0
5	0
6	0
7	0

ANALOG INPUTS	
ID	VALUE
0	16
1	0

7.2: Settings Page

EIO1908 SETTINGS PAGE

IP Address:

Gateway Address:

Netmask Address:

Http Port:

Data Sender Port:

Data Sender Time(ms):

Flash Write Timeout:

SAVE ALL CHANGES

ALL RELAYS RESET

SYSTEM RESET

DEFAULT SETTINGS

8: Regulations

Legal Warning

The properties, functionalities and other product properties can be changed without prior notice. inohom reserves the right to review or update the products, software or documents without any liability to notify any individuals or organizations. Inohom is a trademark of GST Elektronik A.Ş. All other brand and product names herein are the trademarks of their respective owners.

Declaration of Conformity



The company has ISO 9001 Quality Management, 14001 Environment Management, 45001 Occupational Health and Safety Standards.



The domestic production logo on all the products show that themanufacturing and software are 100% completed in Turkey.



CE mark is a free trademark only for authorized officials and this mark does not contain any property assurance.



The product box is manufactured from a recyclable material. Do not discard the package waste with domestic or other waste and recycle package wastes.



The devices tagged with WEEE symbol shall not be discarded with other domestic waste. The product should be delivered to the related collection point for waste electric and electronic equipment recycle.

inohom

Smart Life Solutions

🏢 GST Elektronik A.S.

📍 Kemaloz mahallesi 8. Bilgi Sokak No:4 A/A 64200 Usak/Turkey

🌐 www.inohom.com

☎ 0090 850 811 82 83

✉ info@inohom.com